



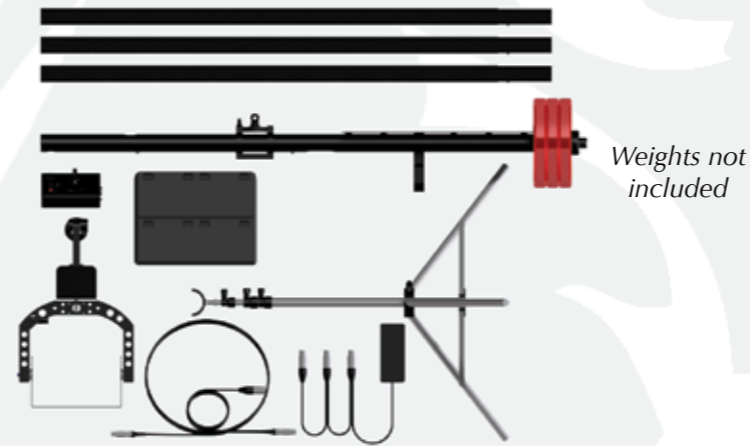
STARTER PACK QUICK START GUIDE



2

Box & Contents

- 1 x Foam insert - This is designed to fit directly into a Pelican 1770 Transit Case
- 3 x Polecam Stiff Carbon Fibre Tubes
- 1 x Polecam Starter Pack back-end
- 1 x Wide Pan/Tilt Head or 1 x Narrow Pan/Tilt Head
- 1 x Joystick, 1 x Accessory wallet
- 1 x Starter Pack AC power unit with 3 x 4-pin XLR's
- 1 x PC046 Starter Pack wiring loom, 1 x Iris Cable (only used with certain cameras)
- 1 x Rigging stand
- 1 x Polecam Saddle-bag set
10. Polecam Starter Pack Quick Start Guide



Weights not included

3

Getting Started

Section One / The Back End

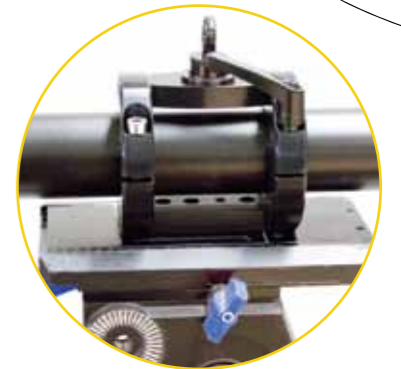
First thing is to fit your tripod wedge plate to the Polecam back end.



Always use 2 screws!

Tip!

Minimum recommended tripod specification 100mm/4" bowl - 15kg/33lbs capacity



Once the wedge plate is fitted, you can fit the Polecam section to your tripod.

Tube Assembly

It is easiest to insert cables into the tubes vertically, feed the cable through each section in turn, please see instructions on cable feeding.

The tubes snap together and are held by a small locking pin as shown in image 2.

Place the rigging stand under the final carbon section to support your rig during assembly.



Getting Hooked Up

Under Section 1 (the back end) there is a hook provided for cable management. This makes it easy to store excess cable ready for any length adjustment.

Reverse looping (opposite coiling/over and under coiling) the cable coils ensures the cables move freely without tangles.



Connection Page

12 Pin lemo (Starter Pack Loom)

Composite video out

Composite video in



The head has a 12 way slip ring for the connections as shown in the diagram.

Tests have shown that HD-SDI passes through the slip ring for monitoring purposes.

Iris (4 pin Hirose)
Iris (+) Pin 1
Iris (-) Pin 4

Power (4 pin binder)
1 amp at 12v MAX
Pin 1 - 0v
Pin 4 + 12v
Electronic fuse resettable

(Toshiba cameras and others using Polecam Iris blocks)

(can power Canon 5D/7D with optional adaptor)

Cable Feeding

Starting with the main Joystick to head cable (12 pin lemo to 12 pin lemo plus 4 pin XLR) thread the 12 pin lemo from underneath section one all the way to the end of the carbon tubes. (this will connect to the head when that is mounted, allow 10cm/4inches approx of cable for this)



Next insert the other end of the 12 pin lemo cable (this one has the 4 pin XLR as well) into the slot underneath section one and feed it to the slot on top of section one. (this will connect to the Joystick)

Now run the monitor cables (optional cables, not included) starting with the cable you are using for monitoring the camera (this will depend on your camera setup) and run this all the way to the end of the carbon tubes.



Thread the other end of this cable from underneath section one to the slot on top of section one, this should reach to the end of the first carbon pole. Run the monitor power cable in a similar fashion.

4

5

6

7

Mounting The Monitor Clamp & Monitor

(Both monitor & clamp are optional extras)

Run the cables first. They should reach to the end of the first pole.



Fix the monitor to the clamp then fix both of them to the first pole.

Connecting Power

Polecam Starter Pack is supplied with a mains unit that has three 4 pin XLR's that will provide power to the head/joystick, monitor with one spare for accessories (dependent on camera used).



Saddle bags are provided for power supply or batteries depending on your specific requirements. They are fitted with Velcro that will fix to the top plate on section one of Polecam.

10

Use the strain relief strap as shown for any cables routed away from the rig.

8

Mounting The Joystick



Plug the cable into the Joystick first as this is a safer method of mounting.

Final Balance

An integral threaded bar is incorporated within section one of Polecam and is used for mounting standard dumbbell weights. Add weights as required to balance Polecam. The final adjustment to achieve a perfectly balanced Polecam rig is done via the tripod mounting block which is fitted with Teflon bearings to aid smooth and easy movement.



Slacken the ratchet clamp (ensuring the rig is horizontal) and gently ease the rig backwards or forwards to achieve your desired balance point. When finished tighten the ratchet clamp.



Adjustment stop range

11

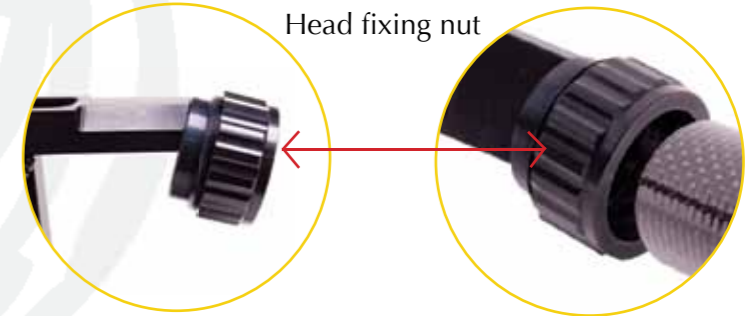
9

Fixing The Head

The head slides onto the final tube and is fixed by hand tightening the large nut. Make sure the cables that have been fed up the poles are routed through the slot in the top of the head drop arm.

Connect the 12 pin lemo and the camera monitoring cable.

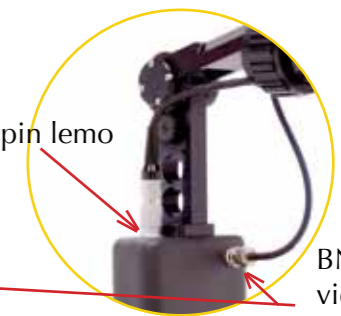
Fix your selected camera to the cradle using the supplied camera mounting screw, balance the camera weight as much as possible within the cradle.



Head fixing nut



12 pin lemo



BNC for video monitoring

Contact Us

Polecam Ltd
12 Wolseley Road,
Woburn Road Industrial Estate,
Kempston,
Bedford,
MK42 7TN
England

+44 (0)1234 855 222

+44 (0)1234 855 270

sales@polecam.com

www.polecam.com

12



For hints and tips on how to set up your Polecam, Check out our Youtube video.

http://www.youtube.com/watch?v=Kw_EsdP9Ajo

