

POLECAM

World Leader in Specialist Jibs, Minicams & Accessories



Fujinon 17x Zoom lens - XT17sx4.5DA-R11 Part #LE400

FUJIFILM Europe introduces a new lens for 1/3" HD 3 CCD or CMOS cameras - the 17x zoom lens XT17sx4.5DA-R11.

This 4.5-77mm C-mount zoom lens is designed for 1/3" 3-CCD/CMOS cameras such as the Toshiba IK-HD1, IK-HD2, IK-HD3 and IK-HD5 camera systems. With a very simple back focus and top-side adjustment and a minimum object distance (MOD) of 0.95m.

It can operate as a 3 motor, 2 motor auto or manual iris lens. With superior HD resolution throughout its zoom range this lens is the only lens in its class with the optical and mechanical reliability you expect from Fujinon.

A perfect fit for the Polecam Long Head in conjunction with a Polecam ZIF handle giving the operator full control of Zoom, Iris and Focus. Also simultaneous control is available of the Iris through the Polecam RCP Part #RC100

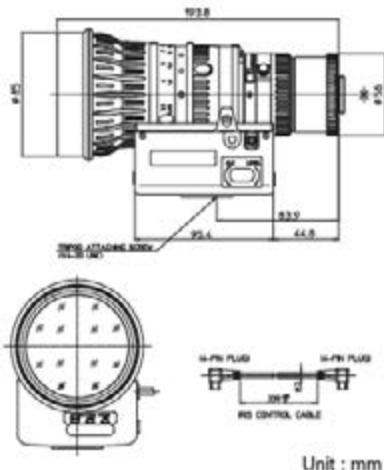
This is what the Toshiba 3 chip cameras have been waiting for and is a perfect union.



- Fujinon Zoom lens Part #LE400 to include Zoom, Iris & Focus (ZIF) controller, Part #ZIF070 to include extension cable Part #071 and splitter cable Part #072



Zoom	Motor Drive	Wide Angle	Telephoto Long Focal	Video Auto Iris	Iris-Remote	For 3CCD Camera	C Mount	Metal Mount	Full Servo	RoHS Compliant
ZOOM	MOTOR DRIVE	WIDE	TELE	VIDEO	IRIS-REMOTE	3CCD	C-mt	METAL	SERVO	RoHS



Focal Length (mm)	4.5 - 77	
Iris Range	F1.6 - F16	
Operation	Zoom	Motor Drive
	Focus	Motor Drive
Angle Of View (H x V)	Iris	Auto (Video Type) or Remote ^{†1}
	1/3" WIDE	56° 09' x 43° 36'
	4:3 TELE	3° 34' x 2° 41'
	1/4" WIDE	43° 36' x 33° 24'
	4:3 TELE	2° 41' x 2° 01'
	1/3" WIDE	60° 19' x 36° 11'
Focusing Range (From Front Of The Lens) (m)	16:9 TELE	3° 53' x 2° 11'
	1/4" WIDE	47° 04' x 27° 36'
Object Dimensions at M.O.D.(H x V) (mm)	16:9 TELE	2° 55' x 1° 39'
	∞ - 0.95	
Back Focal Distance (in air) (mm)	1/3" WIDE	920 x 690
	TELE	55 x 41
Exit Pupil Position (From Image Plane) (mm)		19.95
Filter Thread (mm)		-69
Mass (g)		M82 x 0.75
Wiring Diagram		1400
		P27



Polecam Long Head Part #PU102 with either Toshiba IK-HD1/2/3/5